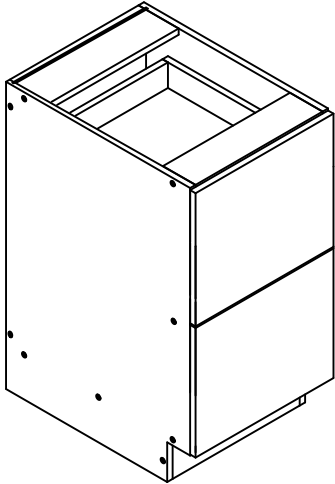


BASE CABINET ASSEMBLY INSTRUCTION

2DB (12-21)

2DB (24-36)


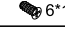
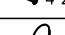

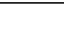


Assembly instructions

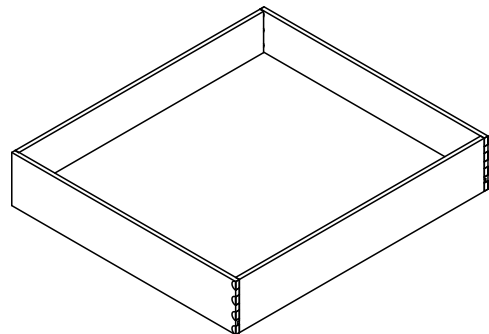
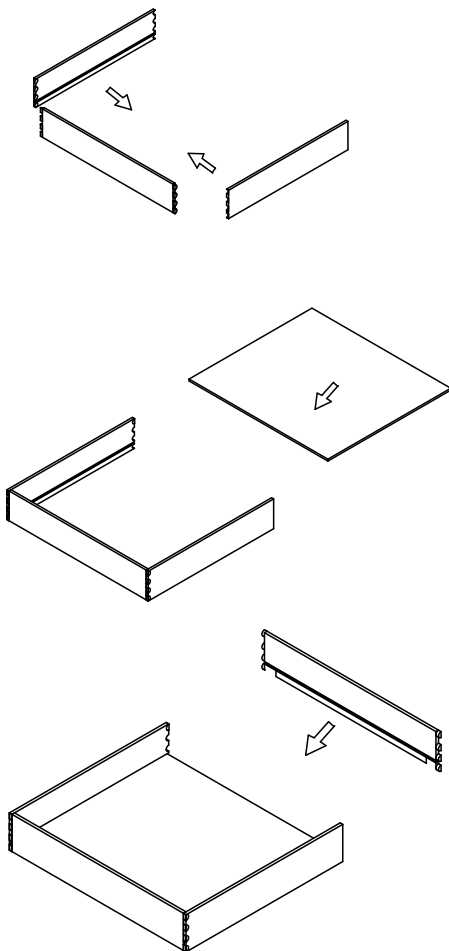
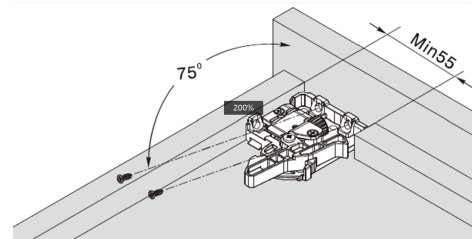
Carefully read the Instructions before starting the installation.

During assembly, please follow all generally accepted safety procedures.

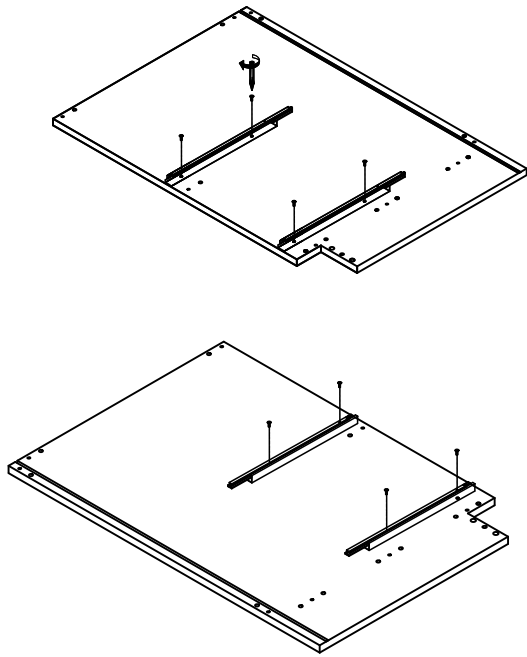
If you are missing any part, please stop and contact us immediately at

Hardware Fitting		
Slide rail		2SET
Slide rail Screws	 6*11	8PCS
Drawer face Screws	 4*25	8PCS
Bumper		8PCS
Cabinet Screws	 7*50	18PCS

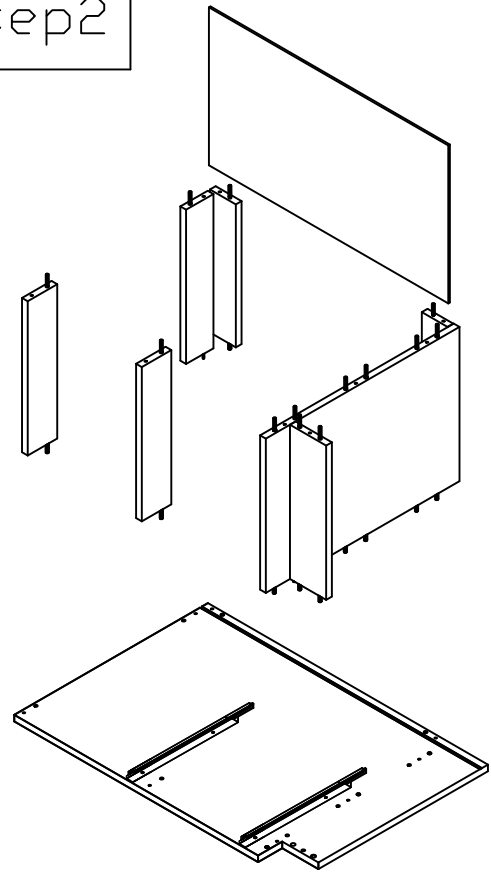
Left Side Panel	1PC
Right Side Panel	1PC
Bottom Panel	1PC
Back Panel	1PC
Support Rail	5PC
Toe Kick	1PC
Drawer Side	4PCS
Drawer Box Front	2PC
Drawer Box Back	2PC
Drawer Box Bottom	2PC



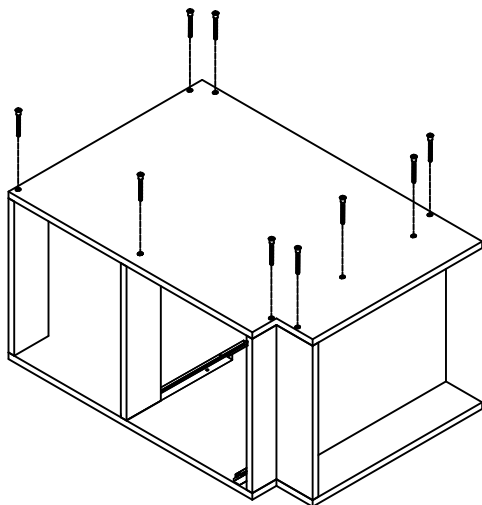
Step1



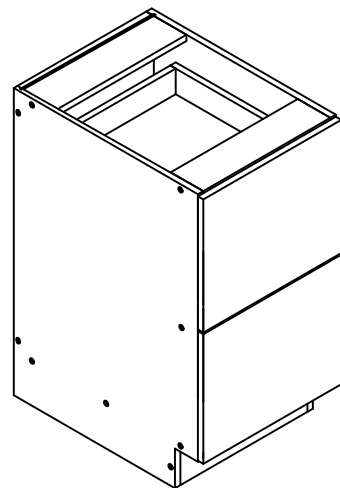
Step2



Step3



Step4



The other side plate is also assembled in this way