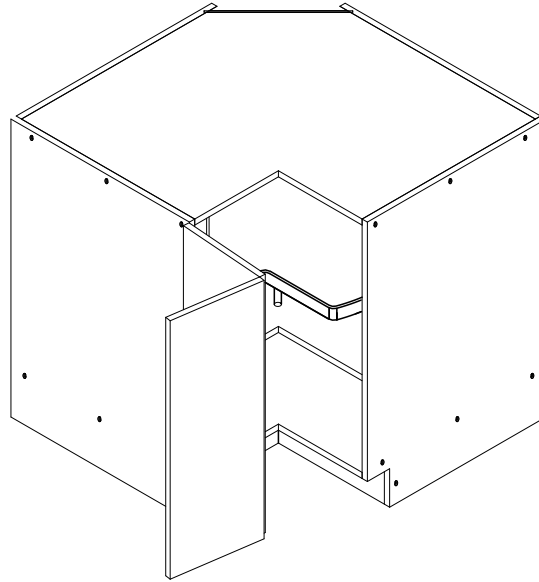


BASE CABINET ASSEMBLY INSTRUCTION

BLS(LSB)33
BLS(LSB)36









Assembly instructions

Carefully read the Instructions before starting the installation.

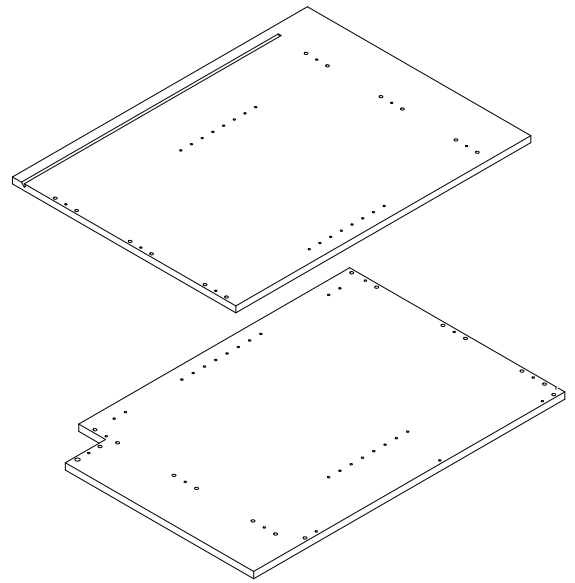
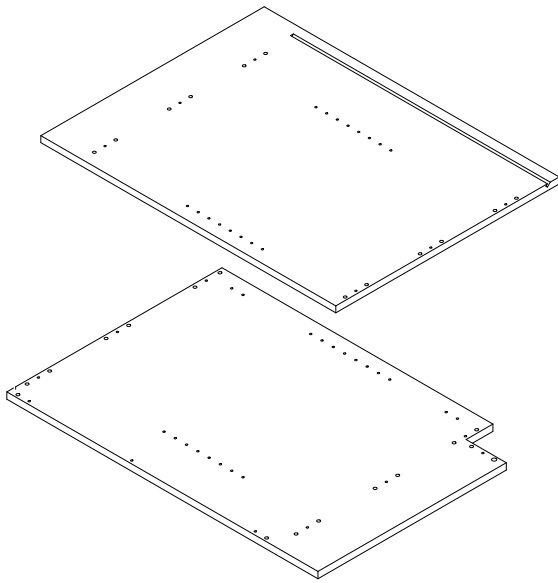
During assembly, please follow all generally accepted safety procedures.

If you are missing any part, please stop and contact us immediately at

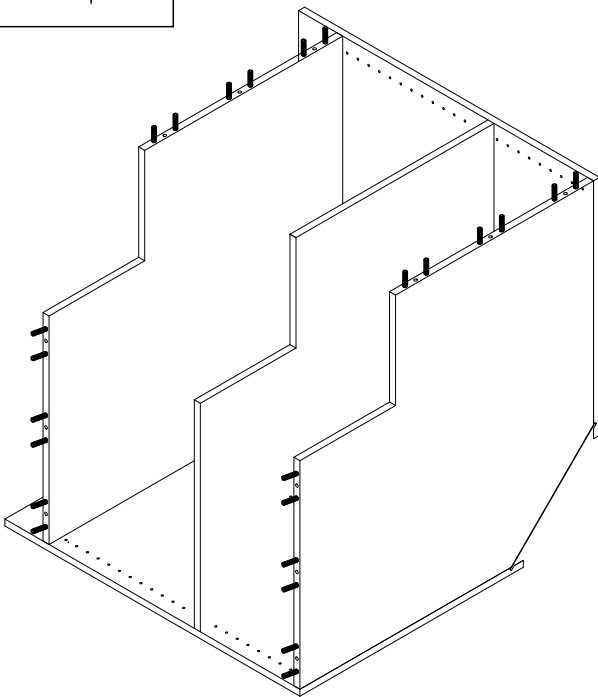
Hardware Fitting		
D2F Hinge		2PCS
D2D Hinge		2PCS
Shelf Support		8PCS
Bumper		4PCS
Cabinet Screws	 7*50	27PCS
Screws for hinge	 4*16	24PCS

Left Back Side Panel	1PC
Left Front Side Panel	1PC
Right Back Side Panel	1PC
Right Front Side Panel	1PC
Bottom Panel	1PC
Back Panel	1PC
Toe Kick 1	1PC
Toe Kick 2	1PC
Removable Shelf	1PC
Top Panel	1PC

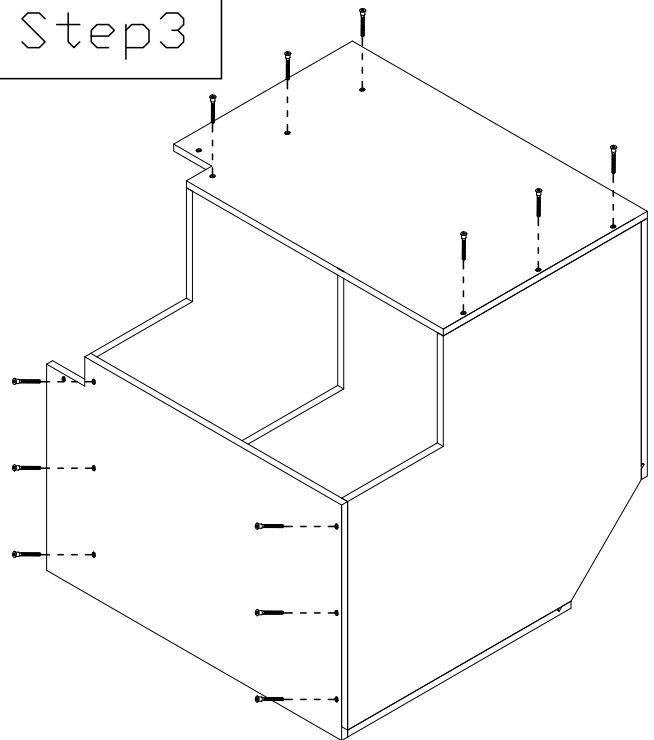
Step1



Step2

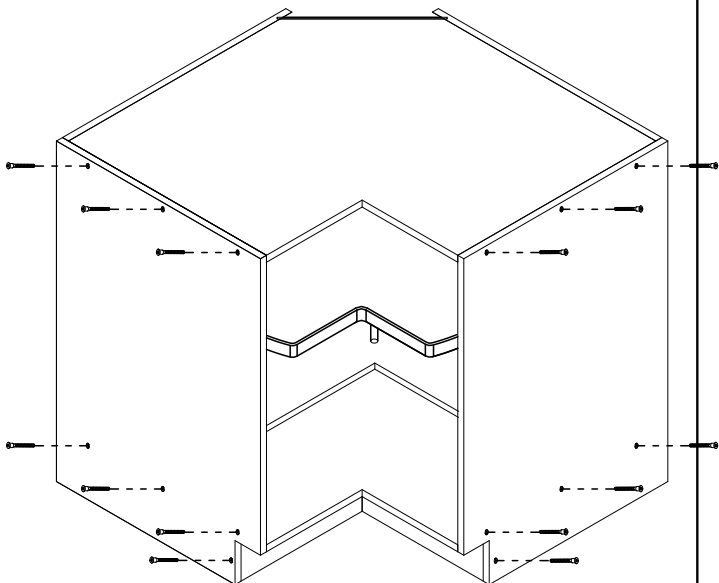


Step3



The other side plate is also assembled in this way

Step4



Step5

