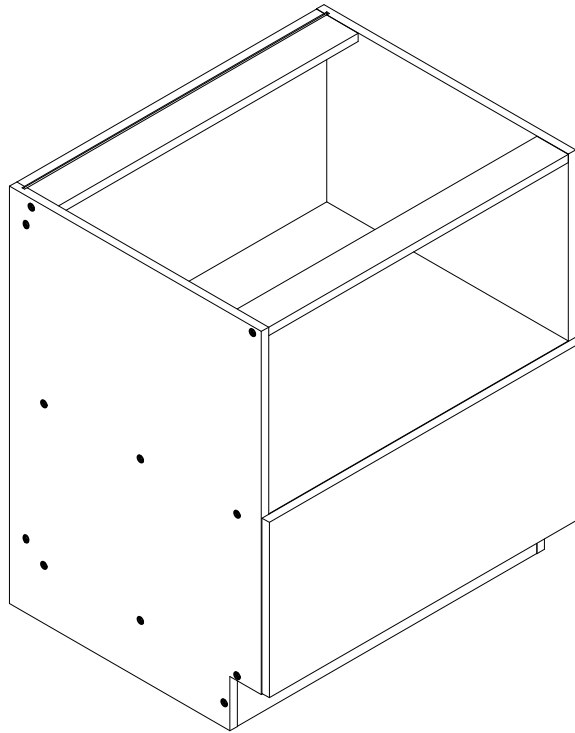


## BASE CABINET ASSEMBLY INSTRUCTION

MB (24-36)









### Assembly instructions

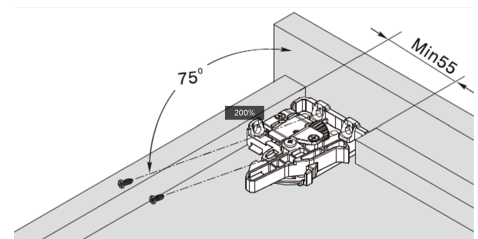
**Carefully read the Instructions before starting the installation.**

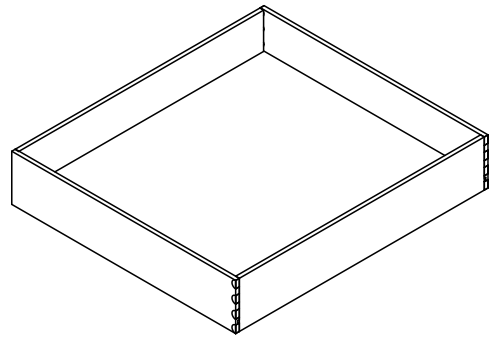
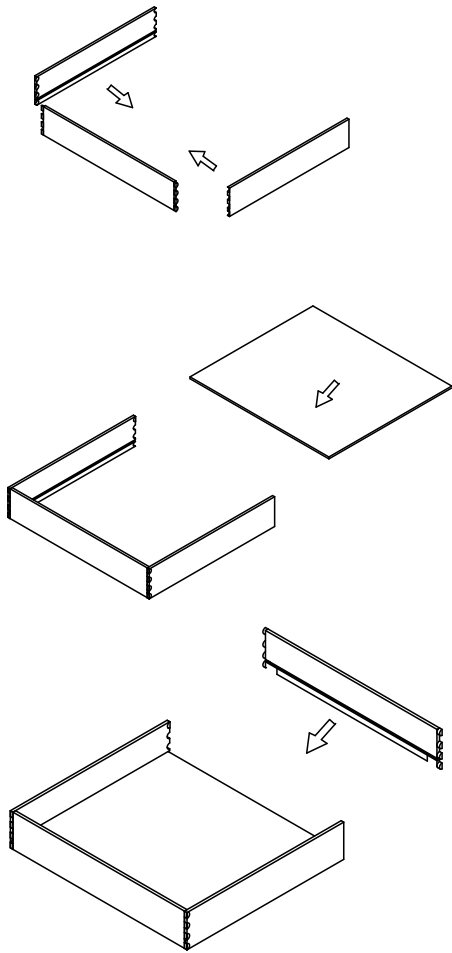
**During assembly, please follow all generally accepted safety procedures.**

**If you are missing any part, please stop and contact us immediately at**

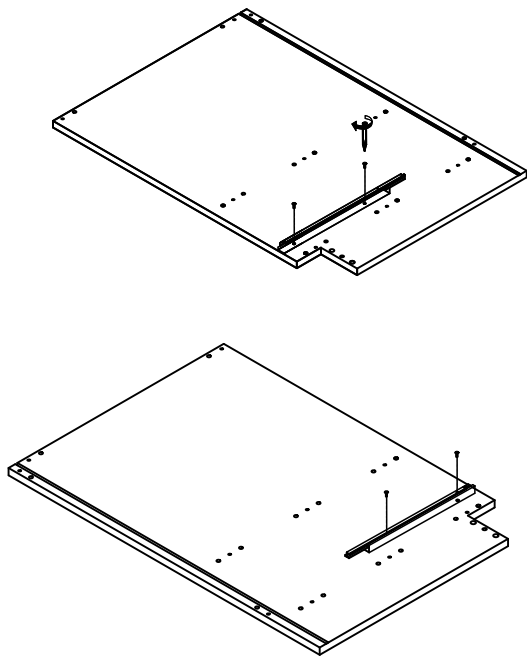
Hardware Fitting		
Slide rail		1SET
Slide rail Screws	 6*11	4PCS
Drawer face Screws	 4*25	4PCS
Bumper		4PCS
Cabinet Screws	 7*50	22PCS
Yellow Angle iron	 4*16	8PCS

Left Side Panel	1PC
Right Side Panel	1PC
Bottom Panel	1PC
Back Panel	1PC
Support Rail	4PC
Toe Kick	1PC
Fixed Panel	1PC
Drawer Side	2PCS
Drawer Box Front	1PC
Drawer Box Back	1PC
Drawer Box Bottom	1PC

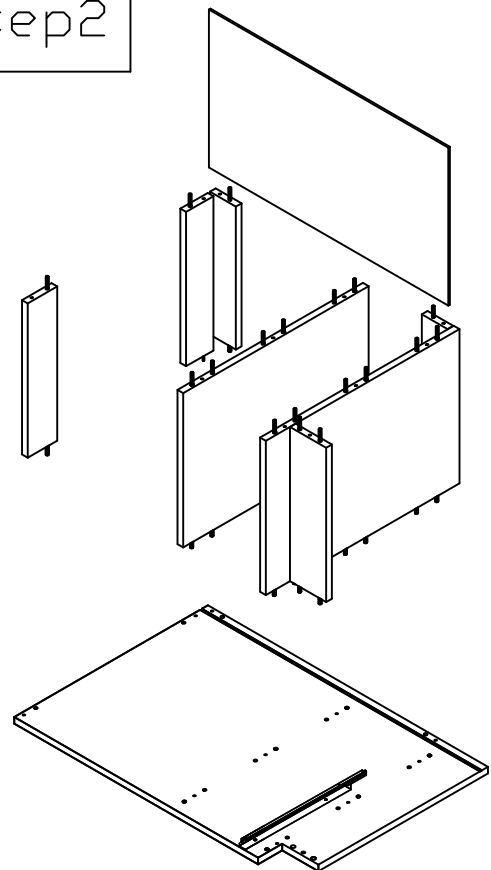




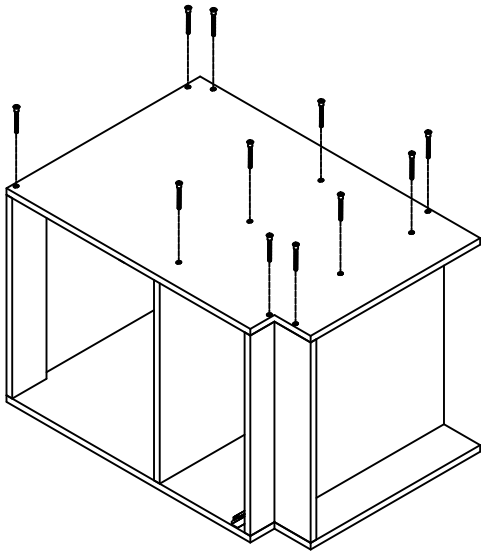
Step1



Step2

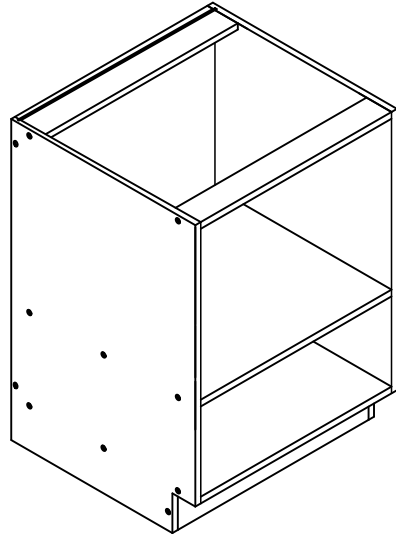


### Step3



The other side plate is also assembled in this way

### Step4



### Step5

