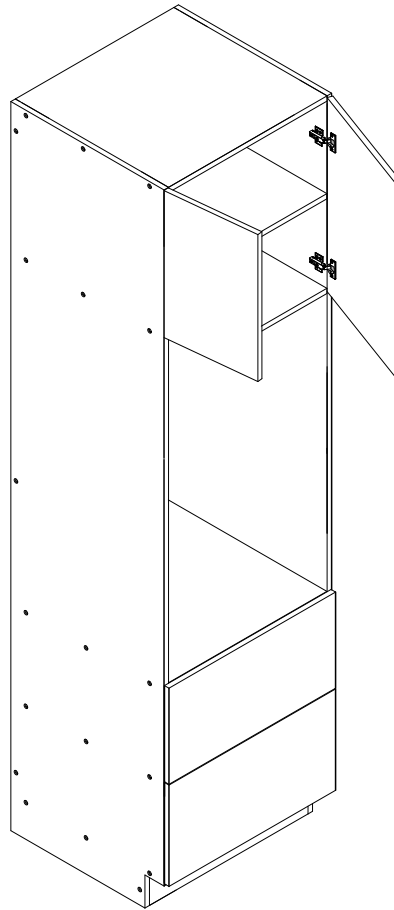


MICROWAVE OVEN CABINET ASSEMBLY INSTRUCTION

MOC3096



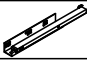

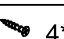





Assembly instructions

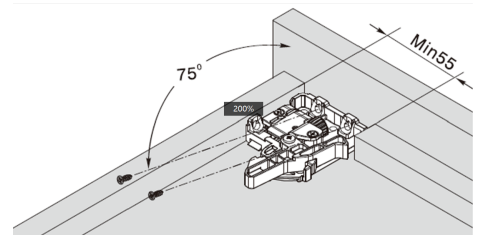
Carefully read the Instructions before starting the installation.

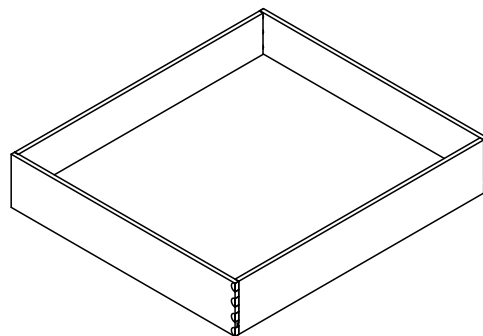
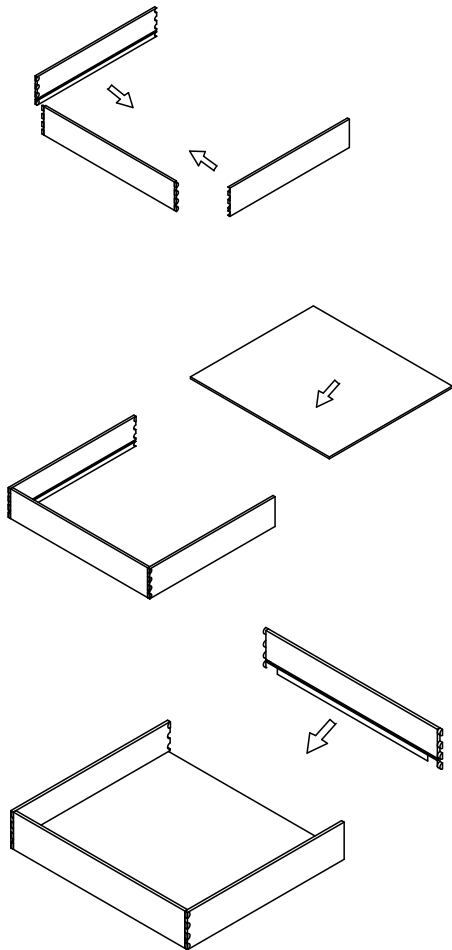
During assembly, please follow all generally accepted safety procedures.

If you are missing any part, please stop and contact us immediately at

Hardware Fitting		
Hinge		4PCS
Shelf Support		4PCS
Slide rail		2SET
Slide rail Screws	 6*11	8PCS
Screws for hinge	 4*16	24PCS
Drawer face Screws	 4*25	8PCS
Bumper		12PCS
Cabinet Screws	 7*50	32PCS

Left Side Panel	1PC
Right Side Panel	1PC
Top/Bottom Panel	2PC
Back Panel	1PC
Support Rail	3PC
Toe Kick	1PC
Removable Shelf	1PC
Fixed Shelf	2PC
Drawer Side	4PC
Drawer Box Front	2PC
Drawer Box Back	2PC
Drawer Box Bottom	2PC



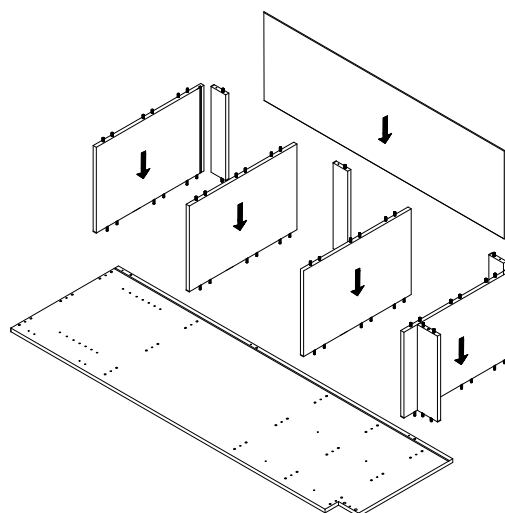
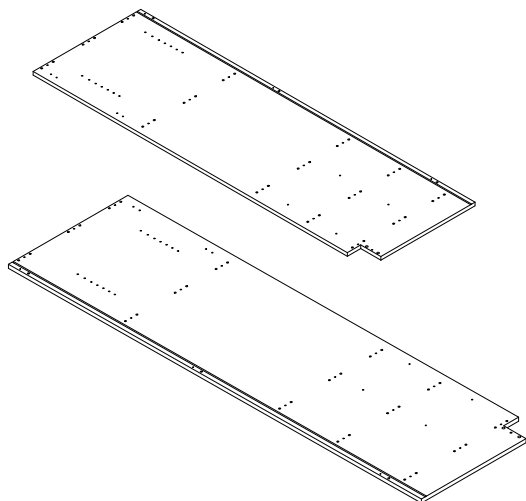


Step1

Single oven/microwave
Double oven

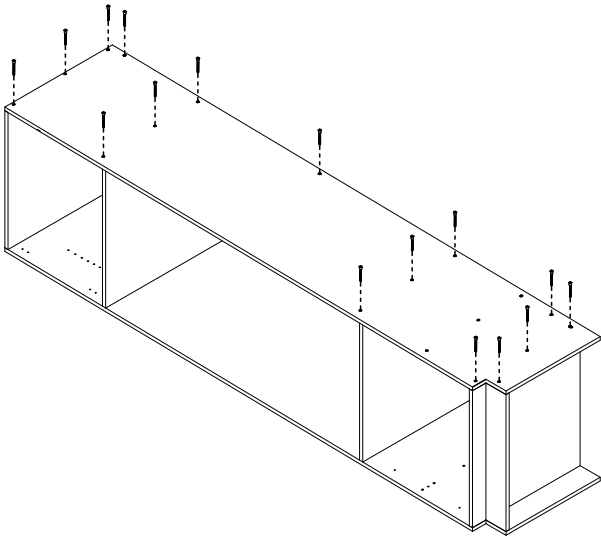
Step2

Single oven/microwave
Double oven



Step3

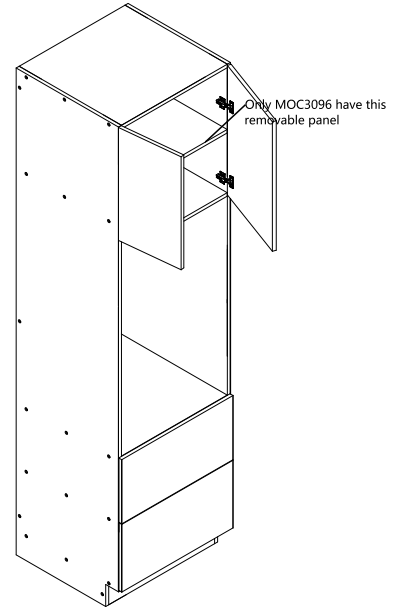
Single oven
/microwave



**The other side plate is also
assembled in this way**

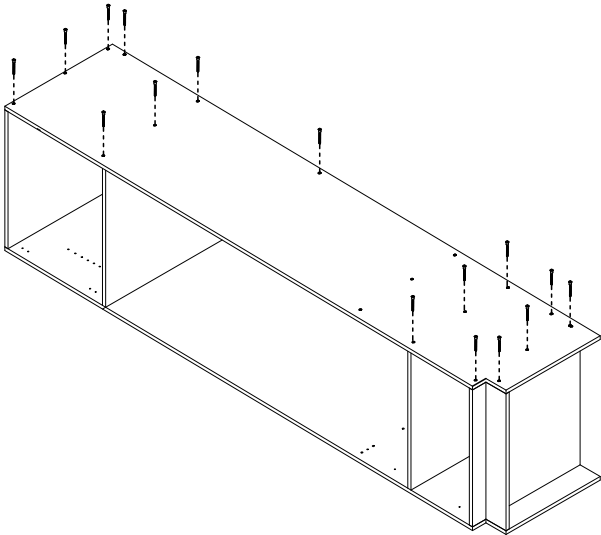
Step4

Single oven
/microwave



Step3

Double oven



**The other side plate is also
assembled in this way**

Step4

Double oven

