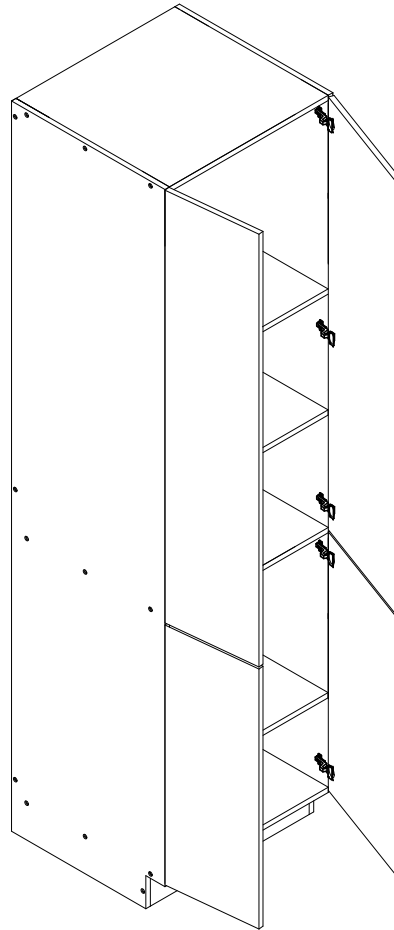


**PANTRY CABINET
ASSEMBLY INSTRUCTION**



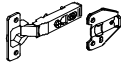




PC2484
PC3084
PC2490
PC3090
PC2496
PC3096

Assembly instructions

Carefully read the Instructions before starting the installation.

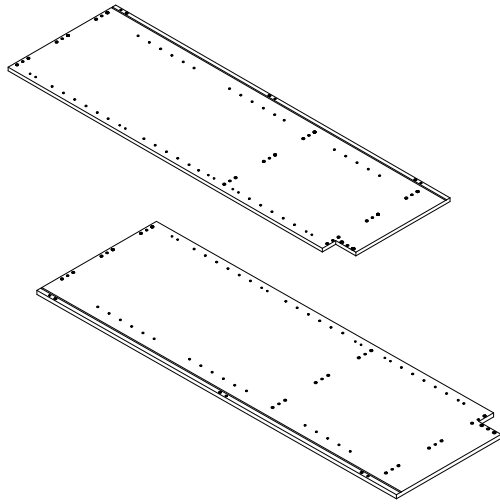
During assembly, please follow all generally accepted safety procedures.

If you are missing any part, please stop and contact us immediately at

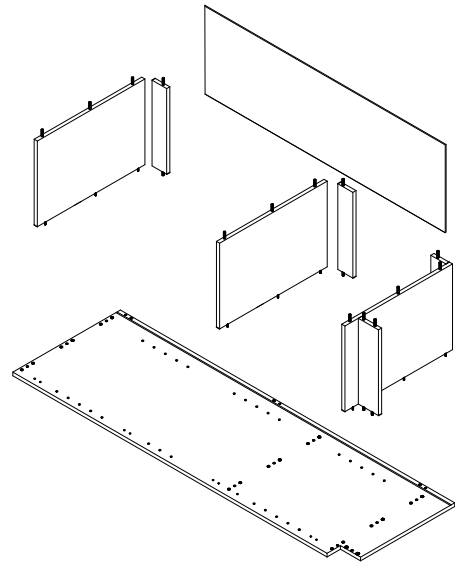
| Hardware Fitting | | |
|------------------|------------------------------------------------------------------------------------------|-------|
| Hinge |  | 10PCS |
| Shelf Support |  | 12PCS |
| Screws for hinge |  4*16 | 60PCS |
| Bumper |  | 8PCS |
| Cabinet Screws |  7*50 | 26PCS |

| | |
|------------------|-----|
| Left Side Panel | 1PC |
| Right Side Panel | 1PC |
| Top Panel | 1PC |
| Bottom Panel | 1PC |
| Back Panel | 1PC |
| Support Rail | 3PC |
| Toe Kick | 1PC |
| Removable Shelf | 3PC |
| Fix shelf | 1PC |

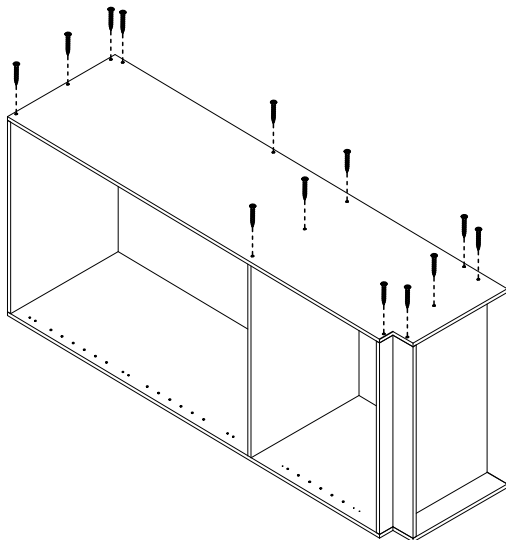
Step1



Step2



Step3



The other side plate is also assembled in this way

Step4

