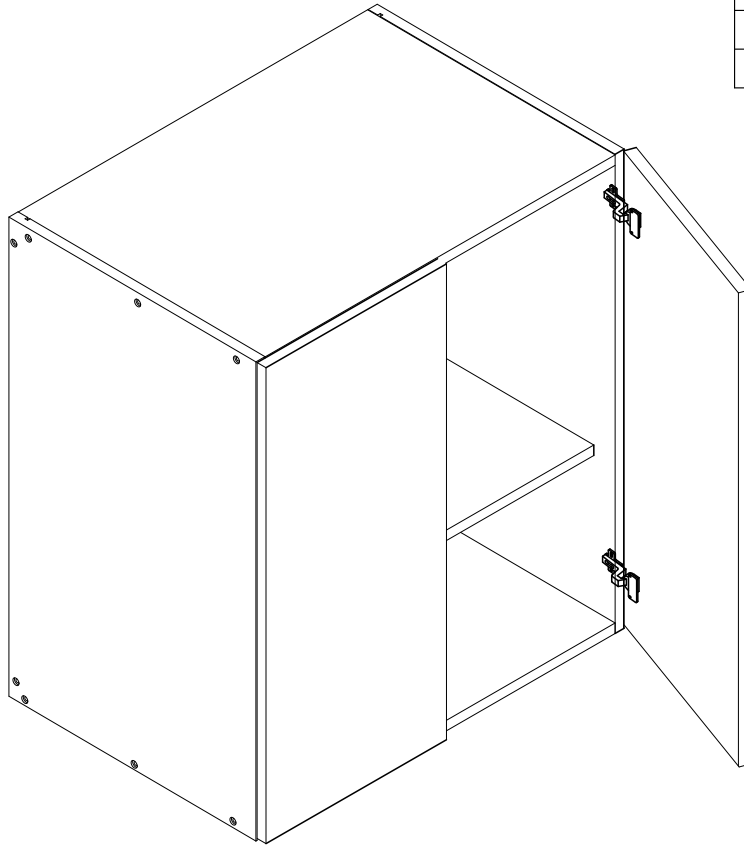


WALL CABINET ASSEMBLY INSTRUCTION

W302424
W332424
W362424

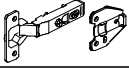






Assembly instructions

Carefully read the Instructions before starting the installation.

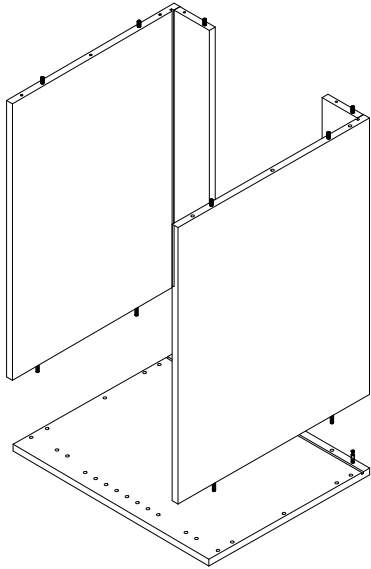
During assembly, please follow all generally accepted safety procedures.

If you are missing any part, please stop and contact us immediately at

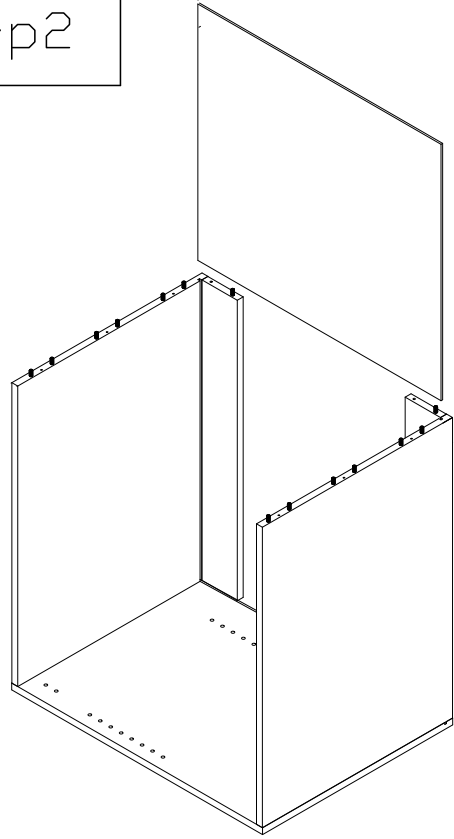
Hardware Fitting		
Hinge		4PCS
Shelf Support		4PCS
Bumper		4PCS
Cabinet Screws	 7*50	16 PCS
Screws for hinge	 4*16	24PCS

Left Side Panel	1PC
Right Side Panel	1PC
Bottom Panel	1PC
Back Panel	1PC
Support Rail	2PCS
Top Panel	1PC
Removable Shelf	1PC

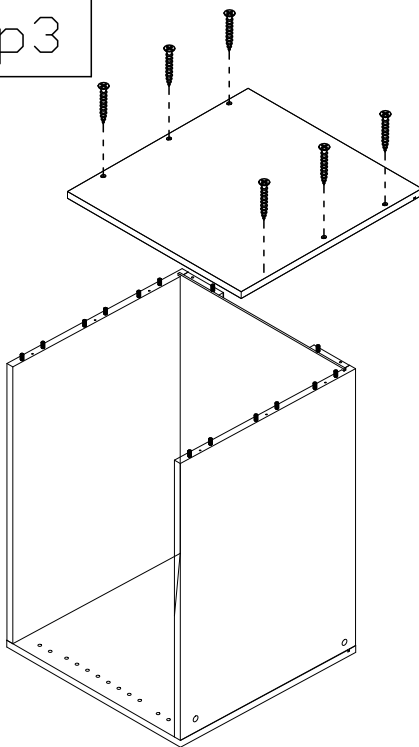
Step1



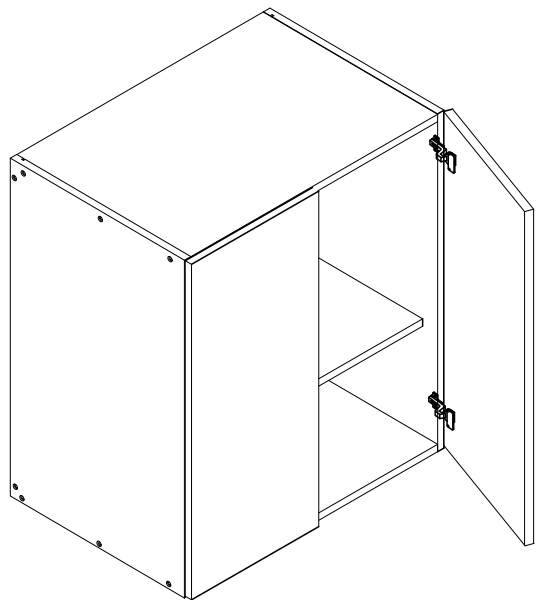
Step2



Step3



Step4



The other side plate is also assembled in this way