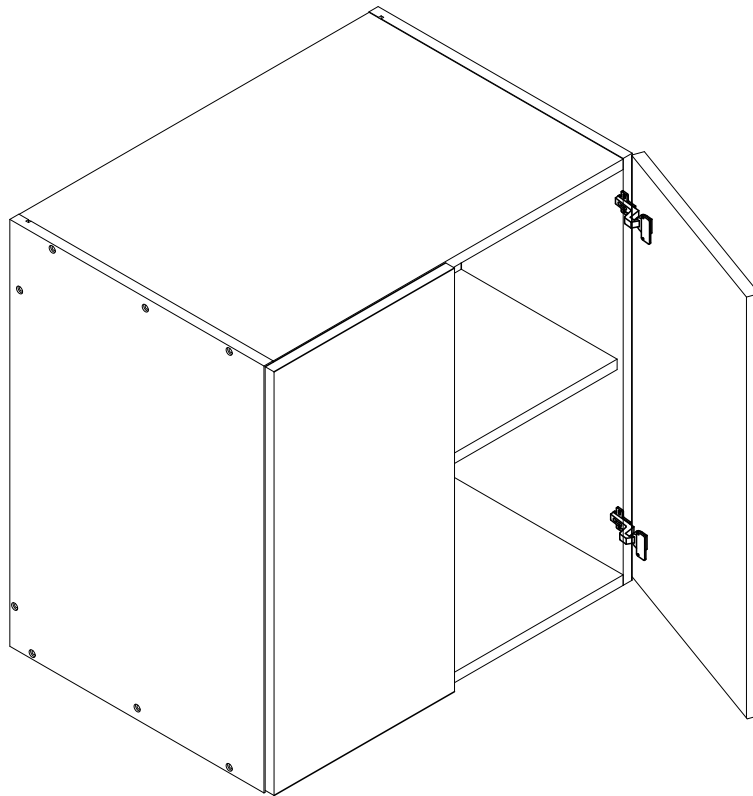


# WALL CABINET ASSEMBLY INSTRUCTION



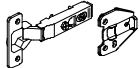




W3024
W3624

## Assembly instructions

**Carefully read the Instructions before starting the installation.**

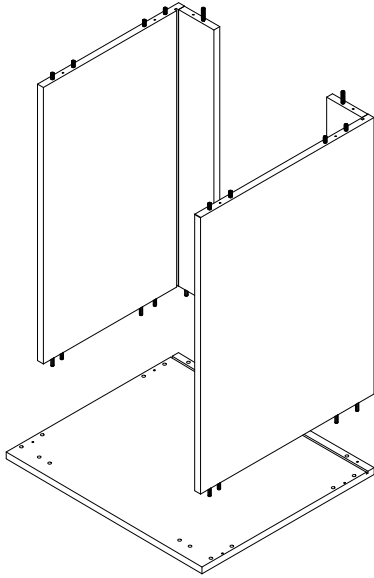
**During assembly, please follow all generally accepted safety procedures.**

**If you are missing any part, please stop and contact us immediately at**

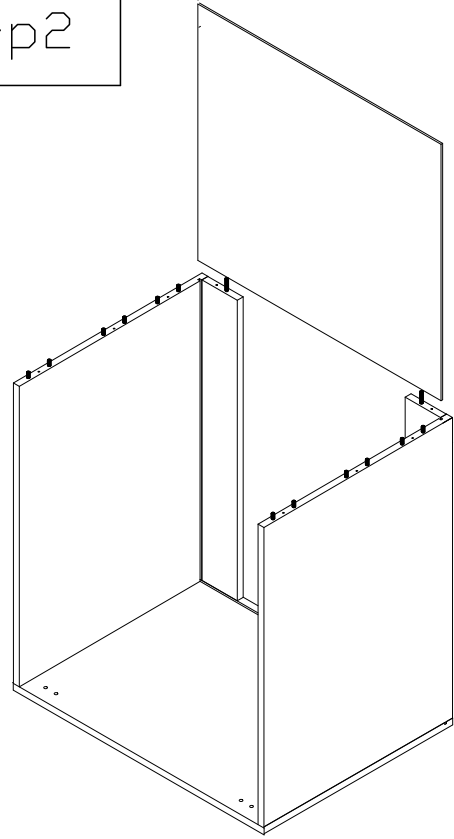
Hardware Fitting		
Hinge		4PCS
Shelf Support		4PCS
Screws for hinge	 4*16	24PCS
Bumper		4PCS
Cabinet Screws	 7*50	16 PCS

Left Side Panel	1PC
Right Side Panel	1PC
Bottom Panel	1PC
Back Panel	1PC
Support Rail	2set
Top Panel	1PC
Removable Shelf	1PC

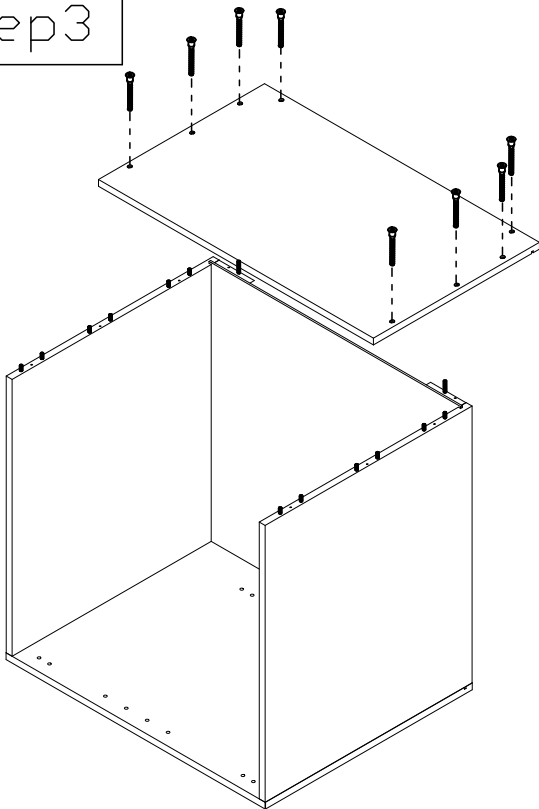
Step1



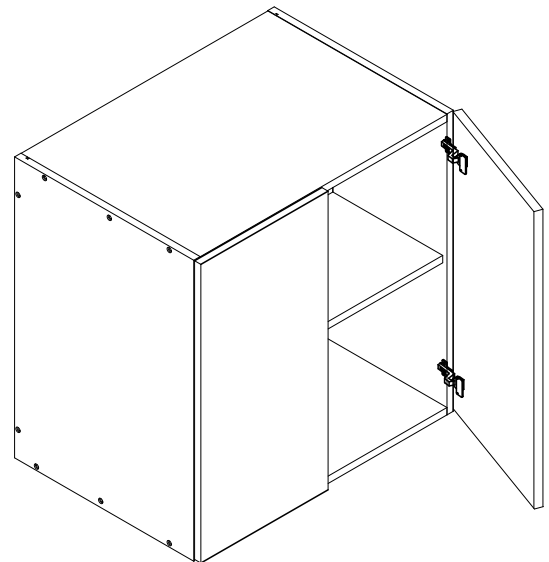
Step2



Step3



Step4



**The other side plate is also assembled in this way**